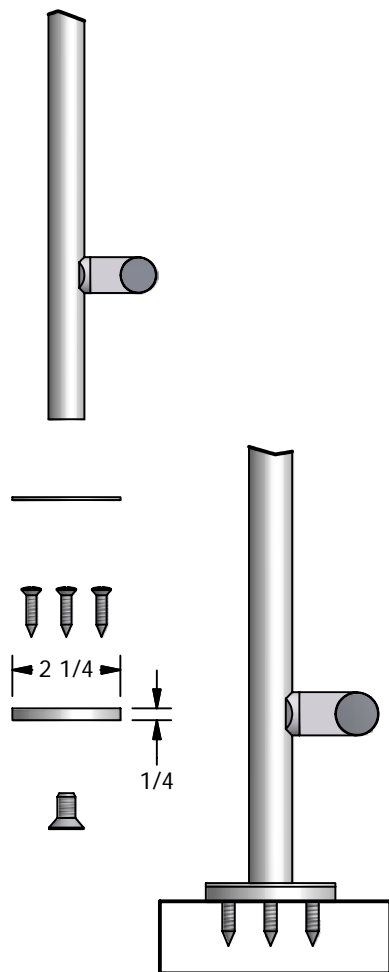
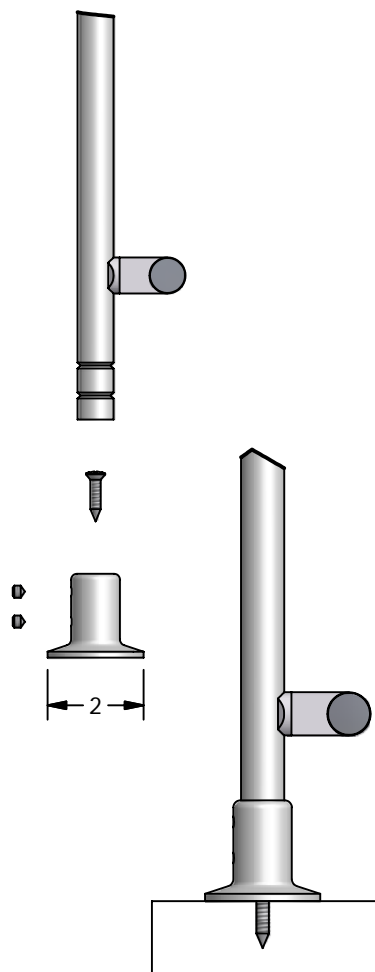


(A)



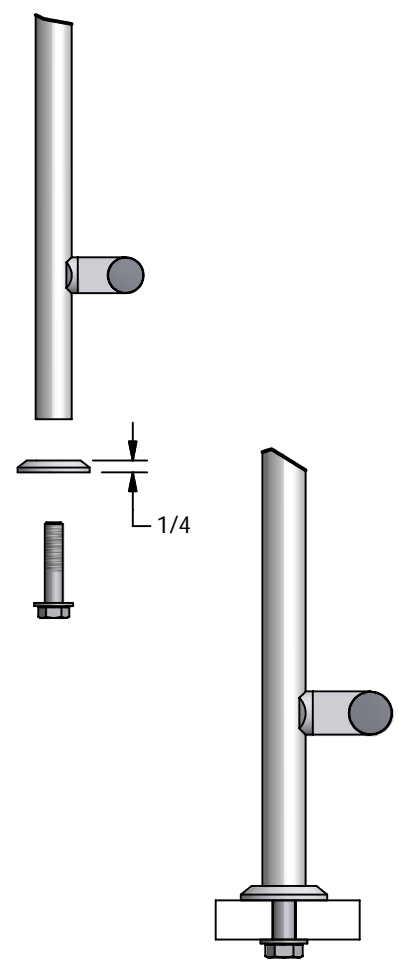
FL22 / FL22-CP
SURFACE MOUNT FLANGE

(B)



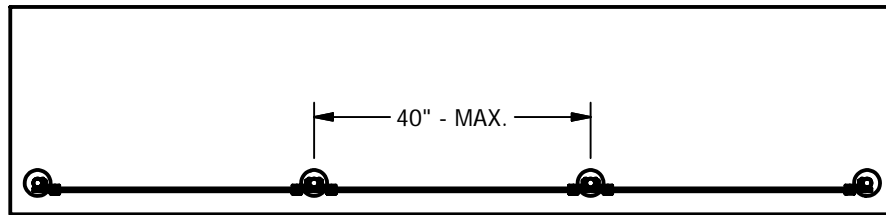
FL18*
SURFACE MOUNT FLANGE

(C)



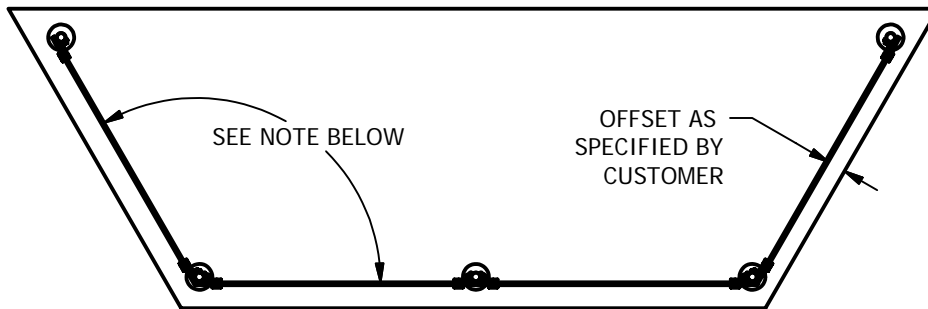
FL7-15
CONCEALED MOUNT
FLANGE

STRAIGHT COUNTER FRONT



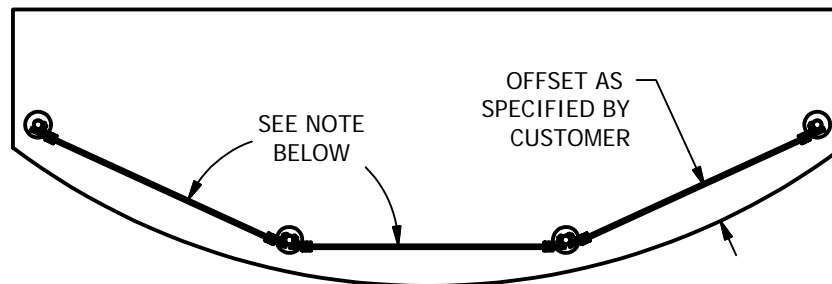
ALL PRODUCTS ARE AVAILABLE IN UNLIMITED LENGTH LINEUPS
EACH SECTION IS LIMITED TO 40" POST CENTERLINES

FACETED COUNTER FRONT



VP-3Q AND VPC-3Q ONLY AVAILABLE IN ANY OFFSET ANGLE
VG5-3Q LIMITED TO 11° ANGLE OFFSET (MAX) FROM STRAIGHT

RADIUS COUNTER FRONT



VP-3Q AND VPC-3Q ONLY AVAILABLE IN ANY OFFSET ANGLE
VG5-3Q LIMITED TO 11° ANGLE OFFSET (MAX) FROM STRAIGHT